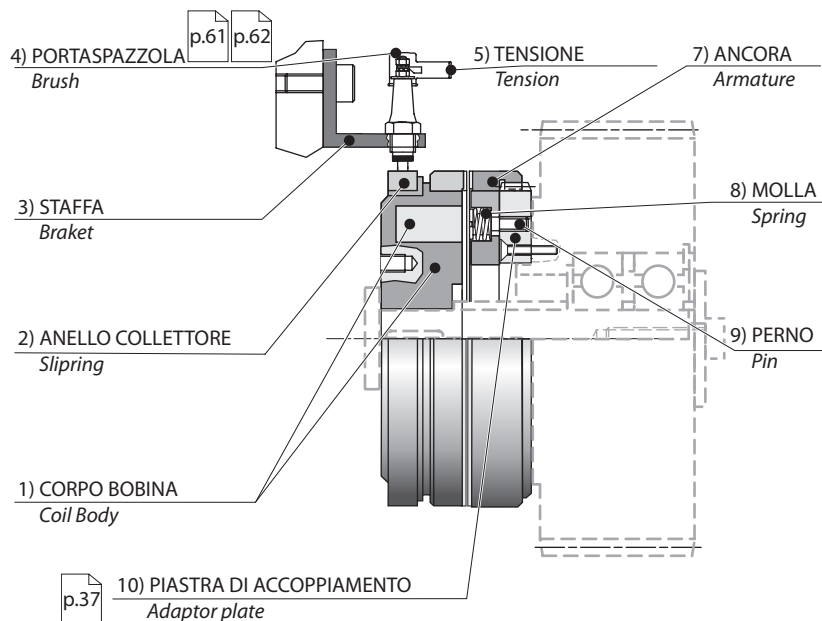
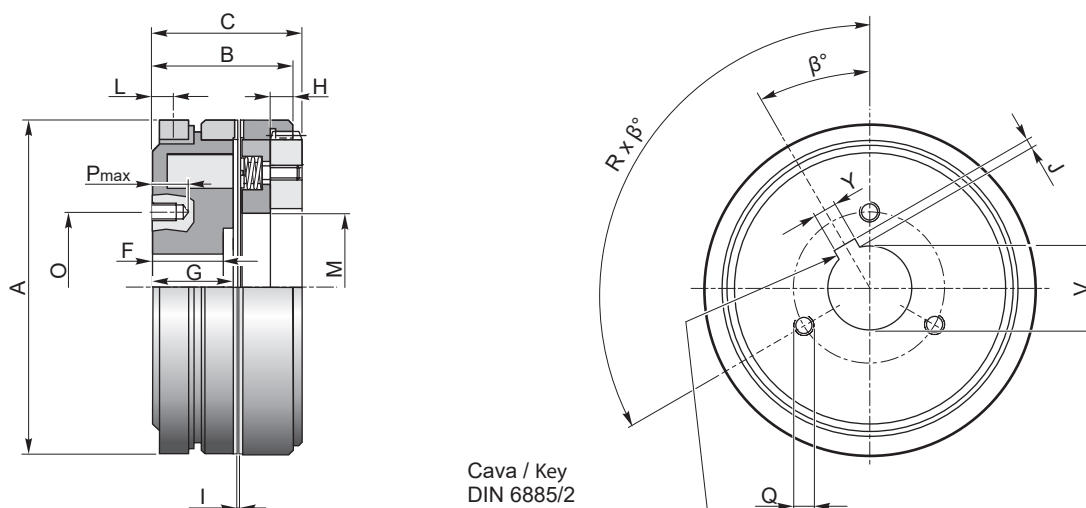


### Esempio di applicazione / Example of application



### Dimensioni / Dimension



### Caratteristiche / Characteristics

| TAGLIA<br>SIZE | Coppia nom. Statica<br>Nom. Static Torque | Tensione Nominale<br>Nominal Voltage | Potenza assorbita<br>Input Power | nmax           |                | Tempo inserzione<br>Engagement time | Tempo disinserzione<br>Desengagement time | Z   |     | Kg   |
|----------------|---|--------------------------------------|----------------------------------|----------------|----------------|-------------------------------------|---|-----|-----|------|
|                | CU 1)                                     | V (C.C - D.C)                        | W                                | a secco<br>dry | in olio<br>oil |                                     |   | rpm | rpm |      |
|                |   |                                      |                                  | Nm             | W              | rpm                                 | rpm                                       |     |     | ms   |
| GDR82PB        | 100                                       | 24                                   | 24                               | 5000           | 2500           | 25                                  | 60  | 130 | 253 | 0.85 |
| GDR95PB        | 200                                       | 24                                   | 28                               | 4000           | 2000           | 25                                  | 70  | 156 | 280 | 1.15 |
| GDR114PB       | 350                                       | 24                                   | 48                               | 3500           | 2000           | 30                                  | 90  | 180 | 280 | 1.9  |
| GDR134PB       | 600                                       | 24                                   | 57                               | 3000           | 1500           | 45                                  | 130                                       | 144 | 310 | 3    |
| GDR140PB       | 600                                       | 24                                   | 58                               | 3000           | 1500           | 45                                  | 130                                       | 144 | 310 | 3.2  |
| GDR166PB       | 1200                                      | 24                                   | 81                               | 2500           | 1000           | 70                                  | 180                                       | 168 | 380 | 5.8  |
| GDR195PB       | 2200                                      | 24                                   | 82                               | 2000           | 1000           | 70                                  | 300                                       | 205 | 410 | 9.2  |
| GDR210PB       | 3000                                      | 24                                   | 96                               | 1500           | 1000           | 80                                  | 400                                       | 212 | 410 | 11.2 |
| GDR240PB       | 4000                                      | 24                                   | 100                              | 1500           | 1000           | 85                                  | 500                                       | 180 | 470 | 18   |
| GDR258PB       | 6000                                      | 24                                   | 127                              | 1500           | 1000           | 95                                  | 600                                       | 180 | 470 | 19   |
| GDR295PB       | 8000                                      | 24                                   | 156                              | 1000           | 800            | 100                                 | 1350                                      | 216 | -   | -    |

1) Selezione del valore di coppia vedere pag. / Selection the torque value see page

p.4





## Innesto elettromagnetico a denti con anello collettore

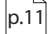
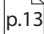
Electromagnetic tooth clutch with slipping

Codice d'ordine / Order code

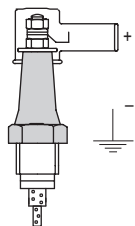
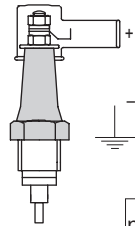
| TIPO E TAGLIA<br>TYPE AND SIZE | DENTATURA<br>TOOTH PROFILES | CONNESSIONE<br>CONNECTION | Ø ALBERO<br>Ø SHAFT |
|--------------------------------|-----------------------------|---------------------------|---------------------|
|                                | <b>A</b>                    | <b>B</b>                  | <b>C</b>            |
| <b>GDR95PB</b>                 | <b>2</b>                    | <b>3</b>                  | <b>1</b>            |
| GDR82PB                        | 1                           | -                         | 1                   |
| ...                            | 2                           | 3                         | 2                   |
| ...                            | 3                           |                           | 3                   |
| GDR295PB                       | 4                           |                           |                     |

Dentatura / Tooth profiles

| CODICE<br>CODE | 1   | 2   | 3  | 4   |
|----------------|---|---|--|---|
| <b>A</b>       | <br>Forma trapezoidale<br>Trapezoidal form | <br>Forma triangolare<br>Triangular form | <br>Dente sega SX<br>Saw tooth anticlockwise | <br>Dente sega DX<br>Saw tooth clockwise |

- A richiesta dentatura in fase / On request, tooth profiles for fixed point engagement  

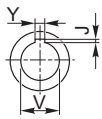
Connessione / Connection

| CODICE<br>CODE | 3  | 4  |
|----------------|--|--|
| <b>B</b>       |  |  |

- Ordinabile separatamente a richiesta / Can be ordered separately on request  

Albero / Shaft

|          |                   | GDR..PB |     |     |     |     |     |     |     |     |     |     |     |     |     |     |     |     |     |     |     |     |     |     |     |     |     |     |     |     |     |     |     |     |   |   |   |
|----------|-------------------|---------|-----|-----|-----|-----|-----|-----|-----|-----|-----|-----|-----|-----|-----|-----|-----|-----|-----|-----|-----|-----|-----|-----|-----|-----|-----|-----|-----|-----|-----|-----|-----|-----|---|---|---|
| <b>C</b> | TAGLIA<br>SIZE    | 82      |     |     | 95  |     |     | 114 |     |     | 134 |     |     | 140 |     |     | 166 |     |     | 195 |     |     | 210 |     |     | 240 |     |     | 258 |     |     | 295 |     |     |   |   |   |
|          | CODICE<br>CODE    | 1       | 2   | 3   | 1   | 2   | 3   | 1   | 2   | 3   | 1   | 2   | 3   | 1   | 2   | 3   | 1   | 2   | 3   | 1   | 2   | 3   | 1   | 2   | 3   | 1   | 2   | 3   | 1   | 2   | 3   | 1   | 2   | 3   | 1 | 2 | 3 |
|          | øV H7             | 12      | 15  | 35  | 20  | 25  | 45  | 30  | 32  | 50  | 35  | 38  | 60  | 40  | 45  | 70  | 38  | 40  | 75  | 50  | 55  | 85  | 60  | 65  | 95  | 65  | 70  | 105 | 70  | 80  | 120 | 70  | 80  | 120 |   |   |   |
|          | Y P9              | 4       | 5   | 10  | 6   | 8   | 14  | 8   | 10  | 14  | 10  | 10  | 18  | 12  | 14  | 20  | 10  | 12  | 20  | 14  | 16  | 22  | 18  | 18  | 25  | 18  | 20  | 28  | 20  | 22  | 32  | 20  | 22  | 32  |   |   |   |
|          | J                 | 1.1     | 1.3 | 2.1 | 1.7 | 1.7 | 2.6 | 1.7 | 2.1 | 2.6 | 2.1 | 2.1 | 3.1 | 2.1 | 2.6 | 4.1 | 2.1 | 2.1 | 4.1 | 2.6 | 2.6 | 4.1 | 3.1 | 3.1 | 4.1 | 3.1 | 4.1 | 5.1 | 4.1 | 4.1 | 5.2 | 4.1 | 4.1 | 5.2 |   |   |   |
|          | n° Cave<br>n° Key | 1       | 1   | 1   | 1   | 1   | 1   | 1   | 1   | 1   | 2   | 2   | 2   | 2   | 2   | 2   | 2   | 2   | 2   | 2   | 2   | 2   | 2   | 2   | 2   | 2   | 2   | 2   | 2   | 2   | 2   | 2   | 2   | 2   | 2 |   |   |



Dimensioni/ Dimension

| TAGLIA<br>SIZE | A   | B    | C     | F    | G    | H    | I   | L   | M   | O   | P  | Q   | β°     | R x β°   |
|----------------|-----|------|-------|------|------|------|-----|-----|-----|-----|----|-----|--------|----------|
| GDR82PB        | 82  | 37   | 40    | 23   | 23   | 6    | 0.3 | 5.5 | 35  | 41  | 15 | M4  | 0°     | 3 x 120° |
| GDR95PB        | 95  | 38.5 | 41.5  | 20   | 23   | 6    | 0.4 | 5.5 | 45  | 50  | 13 | M6  | 22°30' | 4 x 90°  |
| GDR114PB       | 114 | 43   | 46    | 23   | 26   | 7    | 0.4 | 6   | 53  | 60  | 15 | M6  | 22°30' | 4 x 90°  |
| GDR134PB       | 134 | 50   | 53    | 26   | 29   | 8    | 0.4 | 7   | 63  | 72  | 15 | M8  | 22°30' | 4 x 90°  |
| GDR140PB       | 140 | 51   | 54    | 26   | 30   | 8    | 0.4 | 7   | 70  | 80  | 15 | M6  | 22°30' | 4 x 90°  |
| GDR166PB       | 166 | 60   | 63.5  | 30   | 35   | 9.5  | 0.4 | 7   | 80  | 92  | 15 | M10 | 18°    | 5 x 72°  |
| GDR195PB       | 195 | 68   | 71    | 33.5 | 38.5 | 12   | 0.4 | 7   | 90  | 110 | 15 | M10 | 18°    | 5 x 72°  |
| GDR210PB       | 210 | 73   | 75    | 35   | 38   | 14   | 0.4 | 8.5 | 105 | 120 | 20 | M10 | 18°    | 5 x 72°  |
| GDR240PB       | 240 | 81   | 83.5  | 37   | 42   | 14.5 | 0.4 | 8.5 | 115 | 140 | 18 | M12 | 18°    | 5 x 72°  |
| GDR258PB       | 258 | 84   | 86.5  | 42   | 46   | 16.5 | 0.4 | 8.5 | 133 | 150 | 18 | M12 | 18°    | 5 x 72°  |
| GDR295PB       | 295 | 95.5 | 101.5 | 48   | 53   | 13   | 0.5 | 8.5 | 122 | 160 | 20 | M14 | 18°    | 5 x 72°  |